

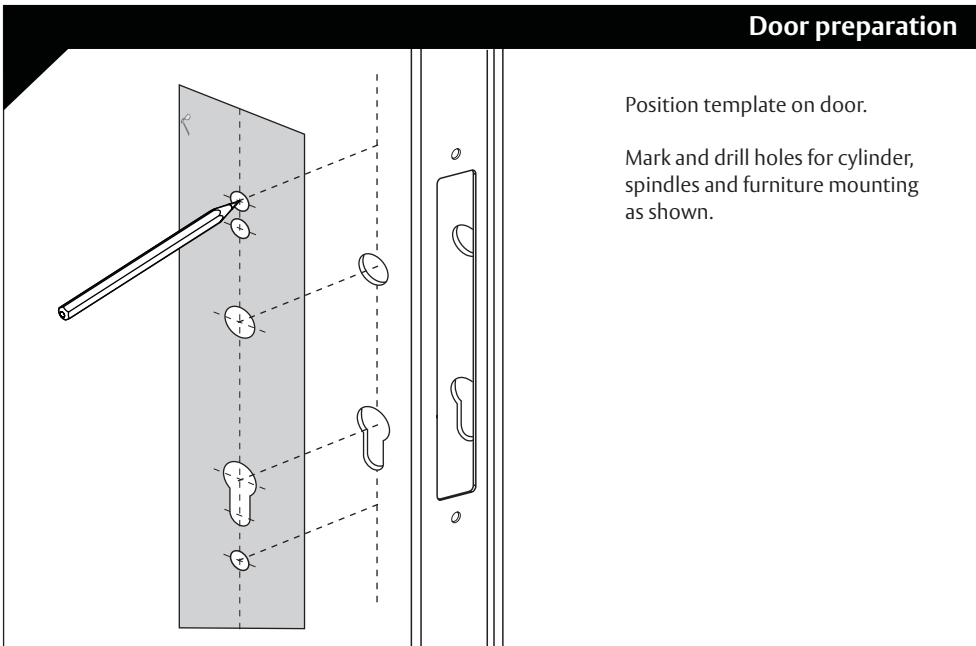
### Installation instructions

**Application:** Compatible with Induro Hinge Door Mortice Locks. Provides daylatch snib.

**Tools required:**

- Drill
- 11mm, 16mm & 18mm Drill bit
- Square #1 Screwdriver

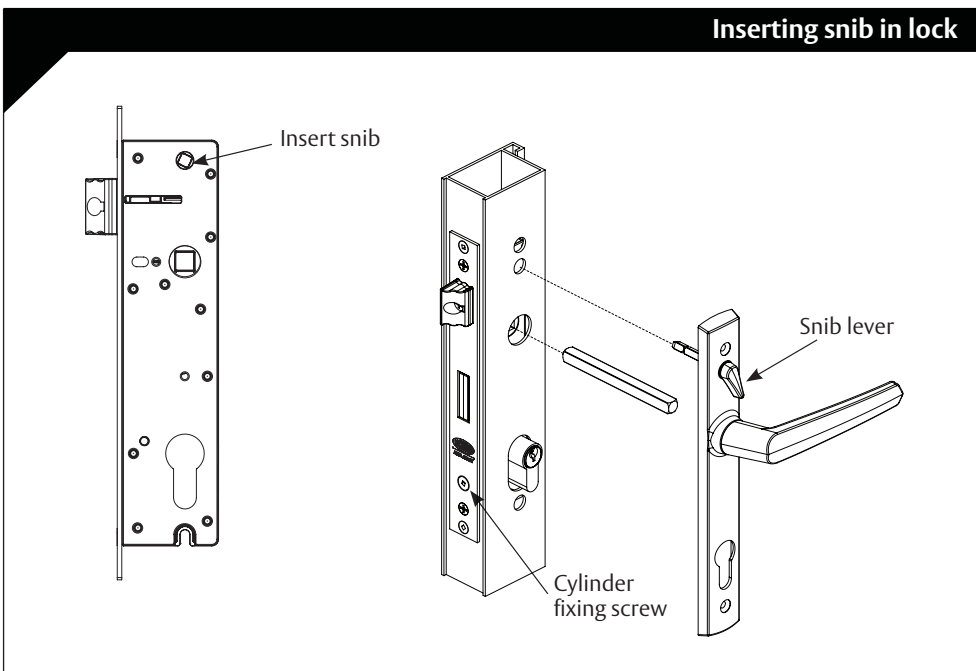
#### Door preparation



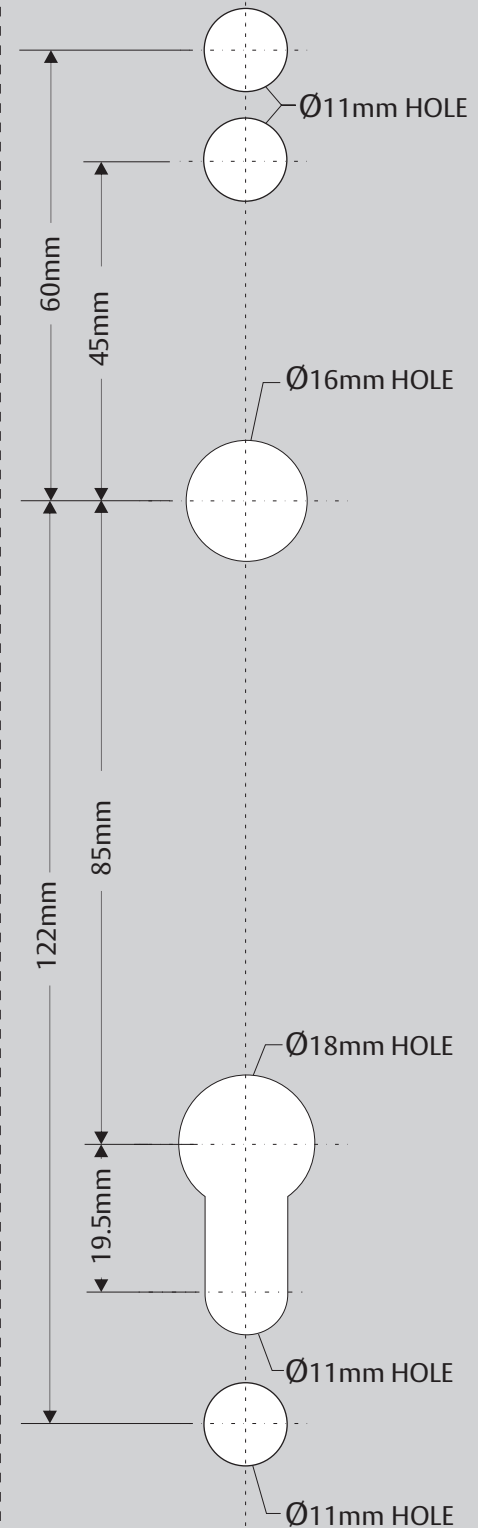
Position template on door.

Mark and drill holes for cylinder, spindles and furniture mounting as shown.

#### Inserting snib in lock

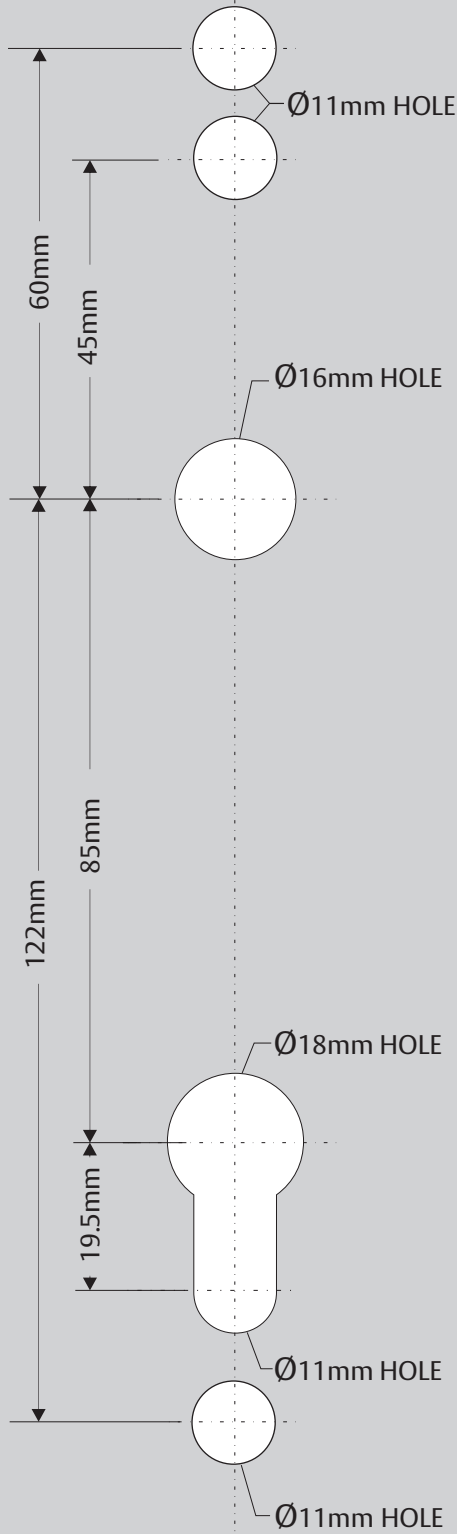


- If mortice lock is fitted, loosen cylinder fixing screw.
- Insert the drive bar through the square drive hole in the lock.
- Place the interior handle onto the drive bar on the internal side of door.
- Insert the Snib into the square drive hole at the top of the lock. The snib lever must point away from the front of the lock, as shown.



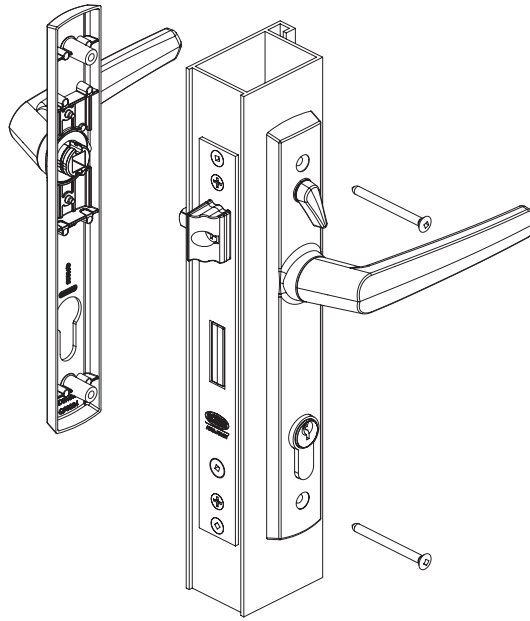
# Template

For ease of use separate  
template from instructions.



# Template

## Fixing furniture

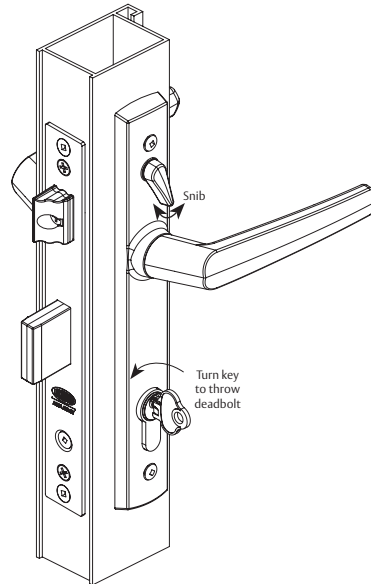


- Place the external furniture on the drive bar.
- Fix secure furniture using two M4 screws. See screw chart to determine correct length.
- Tighten cylinder fixing screw if previously loosened.

### Screw selection:

Screw	Stile Width
M4 x 49mm	38 - 43mm
M4 x 55mm	43 - 49mm
M4 x 60mm	46 - 55mm
M4 x 65mm	55 - 58mm

## Furniture operation



- Push the snib towards the front of the door to lock off furniture
- The snib can be retracted by turning the key to throw the deadbolt or by pushing the snib lever away from the front of the door

ASSA ABLOY Australia Pty Limited  
235 Huntingdale Rd, Oakleigh, VIC 3166  
ABN 90 086 451 907 ©2019  
1300 LOCK UP  
www.yalehome.com.au



Q50285\_1121